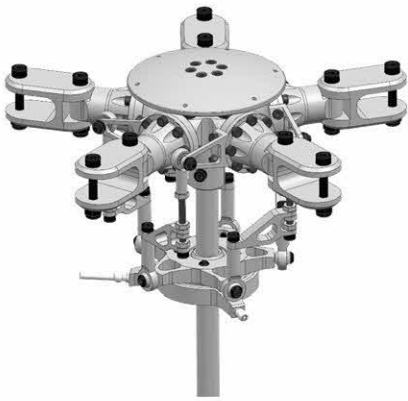


600 Size 5 Blades Rotor Head Instruction Manual

Introduction

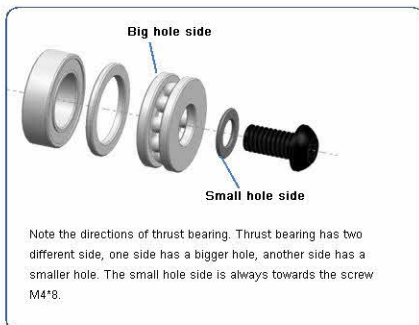
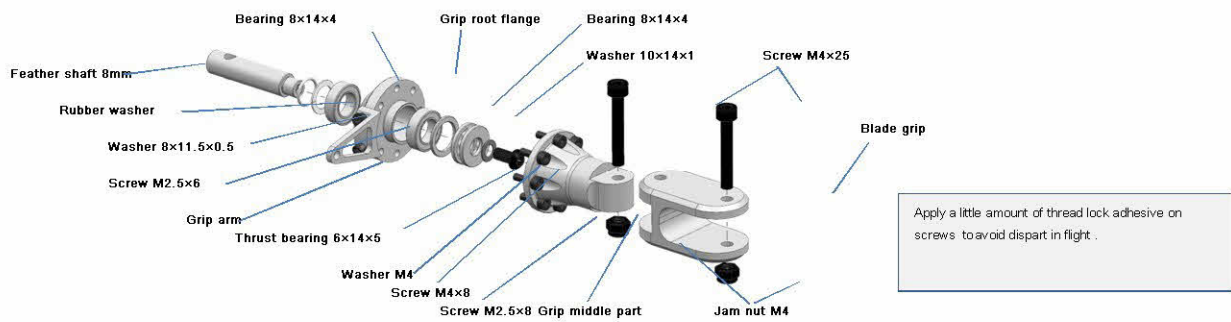
Monster-600 size 5 blades rotor head is the new design of the Sportsmoto Ltd team. It is for the 10mm diameter main shaft RC model helicopters with CCPM mode.

This head is made by CNC. It provides your scale helicopter more detail with flying stability. It's the best choice for your beautiful new scale fuselage.

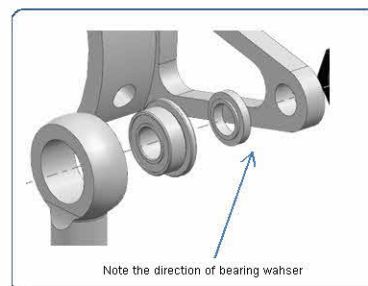
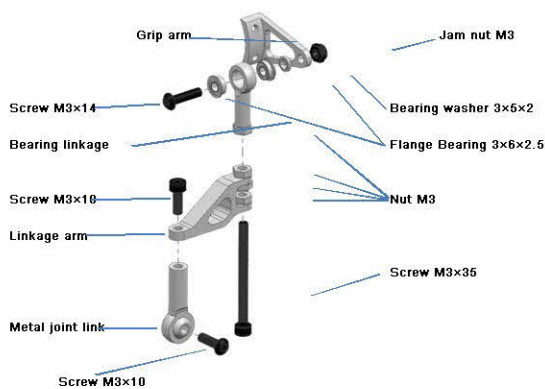


Assembly Section

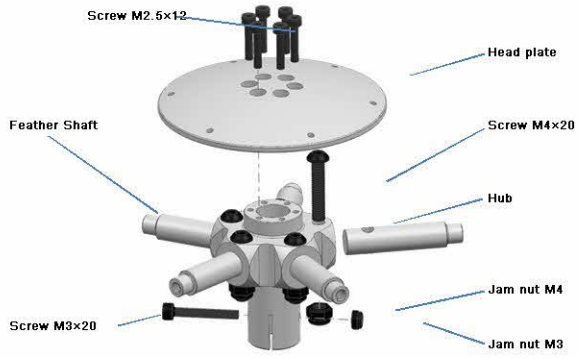
Main Blade Grip Assembly



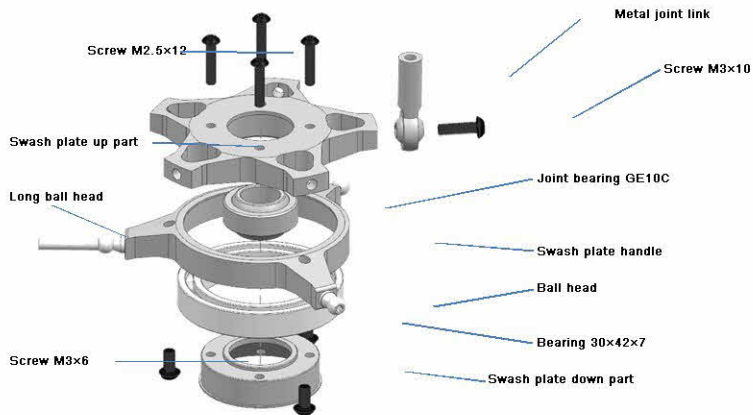
Linkage Assembly



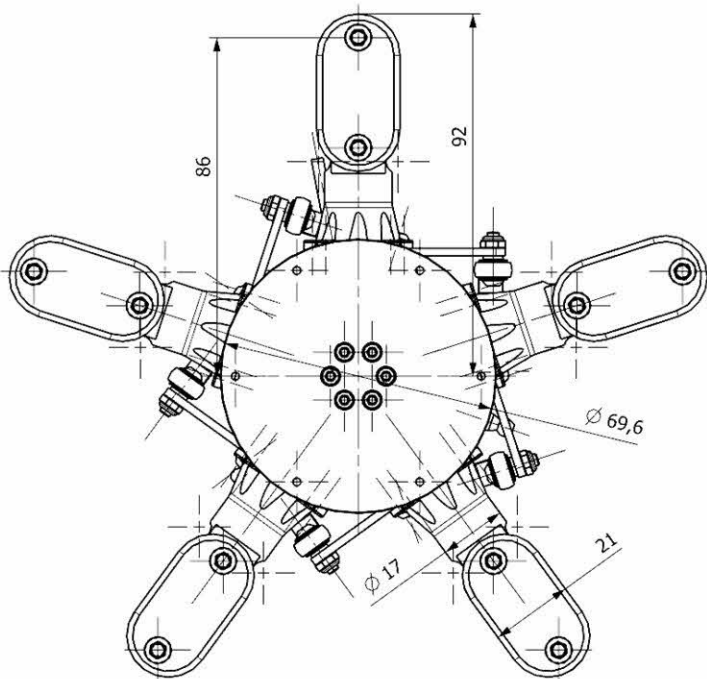
Hub Assembly

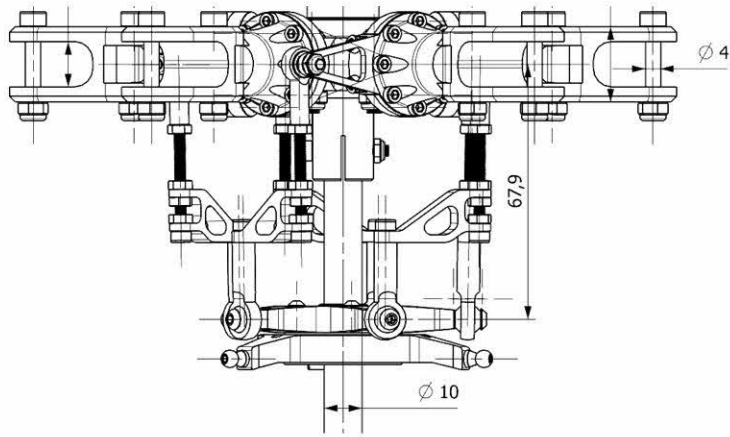


Swash Plate Assembly



Drafting and Size





Part List

Name	Quantity	Materials
Blade grip	5	Aluminum Alloy
Hub	1	Aluminum Alloy
Head plate	1	Aluminum Alloy
Grip middle part	5	Aluminum Alloy
Grip root flange	5	Aluminum Alloy
Grip arm	5	Aluminum Alloy
Bearing linkage	5	Aluminum Alloy
Linkage arm	5	Aluminum Alloy
Swash plate handle	1	Aluminum Alloy
Swash up part	1	Aluminum Alloy
Swash plate down part	1	Aluminum Alloy
Washer 8×11.5×0.5	5	Aluminum Alloy
Washer 10×14×1	5	Aluminum Alloy
Bearing washer 3×5×2	5	Aluminum Alloy
Rubber washer	5	Rubber
Washer M4	5	Steel
Bearing 8×14×4	10	Steel
Thrust bearing 6×14×5	5	Steel
Flange bearing 3×6×2.5	10	Steel
Bearing 30×42×7	1	Steel
Joint bearing GE10C	1	Steel
Metal joint link	5	Steel
Feather shaft	5	Steel
Ball head	2	Steel
Long ball head	1	Steel
Screw M2.5×6	10	Steel
Screw M2.5×8	40	Steel
Screw M2.5×12	6	Steel
Screw M2.5×12(Half Ball Head)	4	Steel
Screw M3×6	3	Steel
Screw M3×10	5	Steel
Screw M3×10 (Half ball head)	5	Steel
Screw M3×14	5	Steel
Screw M3×20	1	Steel
Screw M3×35	5	Steel
Screw M4×8 (Half ball head)	5	Steel
Screw M4×20	5	Steel
Screw M4×25	10	Steel
Jam nut M3	6	Steel
Jam nut M4	15	Steel
Nut M3	20	Steel

